

INSTALLATION MANUAL

METAL OUTDOOR PARCEL LOCKER

TYPE 1

1590 SERIES

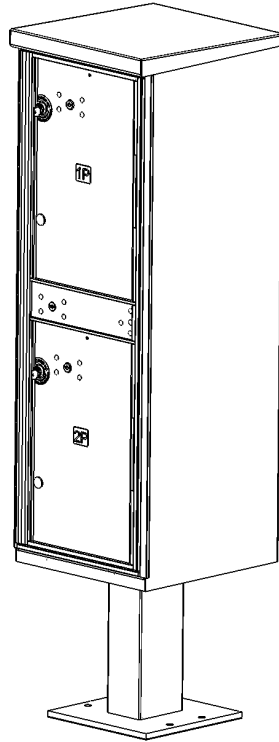


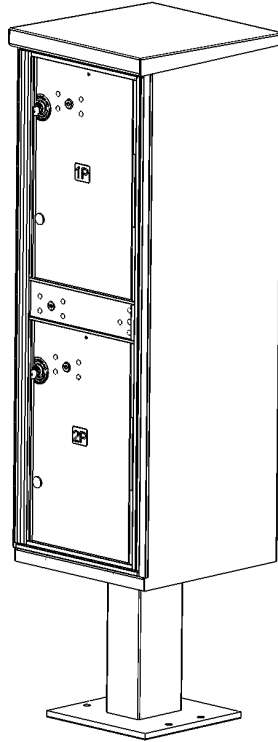
TABLE OF CONTENTS

<i>DESCRIPTION</i>	<i>PAGE</i>
<i>OPL INFORMATION</i>	<i>2</i>
<i>SECURITY TOOL REQUIREMENTS</i>	<i>3</i>
<i>SITE PREPARATION AND PEDESTAL INSTALLATION</i>	<i>4</i>
<i>INSTALLATION OF THE MASTER LOAD ARROW LOCK</i>	<i>6</i>
<i>PARCEL ARROW LOCK INSTALLATION</i>	<i>8</i>
<i>PEDESTAL TO OPL INSTALLATION</i>	<i>10</i>
<i>NUMBER PLACARDS INSTALLATION</i>	<i>12</i>

OPL INFORMATION

METAL OPL TYPE I

1590 SERIES



1590T1AF

<i>1590T1AF</i>	
<i>INSTALLED HEIGHT</i>	<i>62"</i>
<i>DEPTH</i>	<i>17-7/8"</i>
<i>WIDTH</i>	<i>15-7/8"</i>
<i>WEIGHT (WITHOUT PEDESTAL)</i>	<i>83 LBS</i>
<i>WEIGHT (WITH PEDESTAL)</i>	<i>100 LBS</i>
<i>QTY OF STANDARD COMPARTMENTS</i>	<i>0</i>
<i>QTY OF PARCEL COMPARTMENTS</i>	<i>2</i>
<i>PARCEL COMPARTMENT HEIGHT</i>	<i>19.8"</i>
<i>PARCEL COMPARTMENT WIDTH</i>	<i>12.3"</i>

SECURITY TOOL REQUIREMENTS
METAL OPL TYPE I
1590 SERIES

IMPORTANT NOTICE FOR USPS INSTALLERS

*USPS PERSONNEL MUST HAVE A McGARD SCREW DRIVER
(USPS - MAIL EQUIPMENT SHOP PART NUMBER 110050)
TO INSTALL AND SERVICE THE PARCEL DOOR ARROW LOCK COVER
ON THE FLORENCE OPL.*

IF THE
McGARD SCREW DRIVER MES NO. 110050
NEEDS TO BE ORDERED
IT MAY BE ORDERED BY FAXING AN "OFF CATALOG" eBUY REQUEST TO:

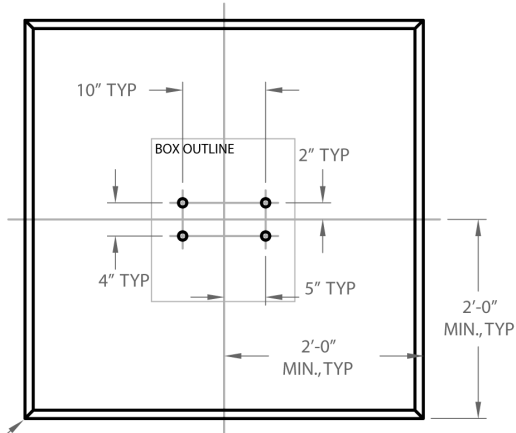
USPS MAIL EQUIPMENT SHOP
FAX NO. (202) 281-2643



SITE PREPARATION AND PEDESTAL INSTALLATION

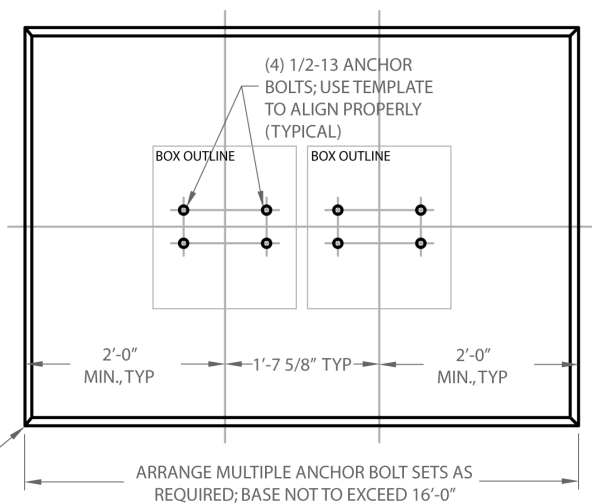
METAL OPL TYPE I 1590 SERIES

SINGLE UNIT



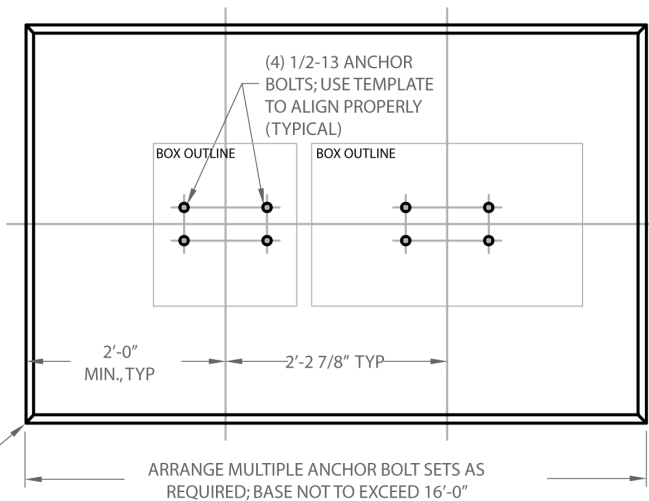
CHAMFER ALL EDGES IN LANDSCAPE AREAS, TOOL FLUSH WITH ADJOINING SURFACES IN PAVED AREAS.

MULTI-UNIT OPL TO OPL



CHAMFER ALL EDGES IN LANDSCAPE AREAS, TOOL FLUSH WITH ADJOINING SURFACES IN PAVED AREAS.

MULTI-UNIT OPL TO CBU

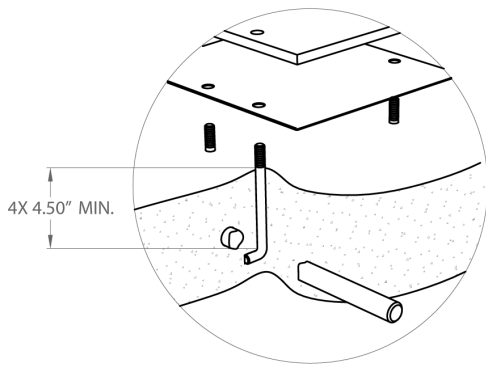
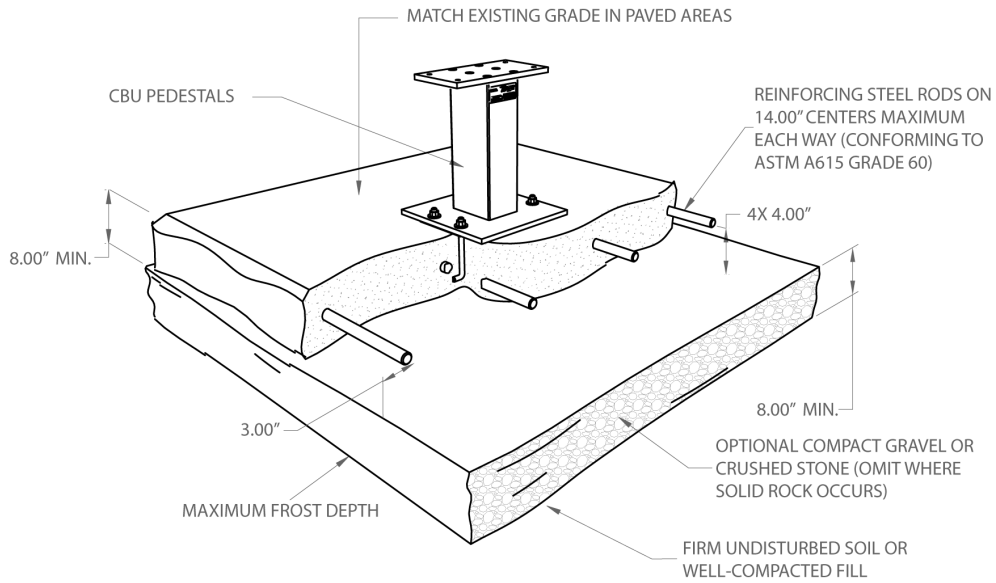


CHAMFER ALL EDGES IN LANDSCAPE AREAS, TOOL FLUSH WITH ADJOINING SURFACES IN PAVED AREAS.

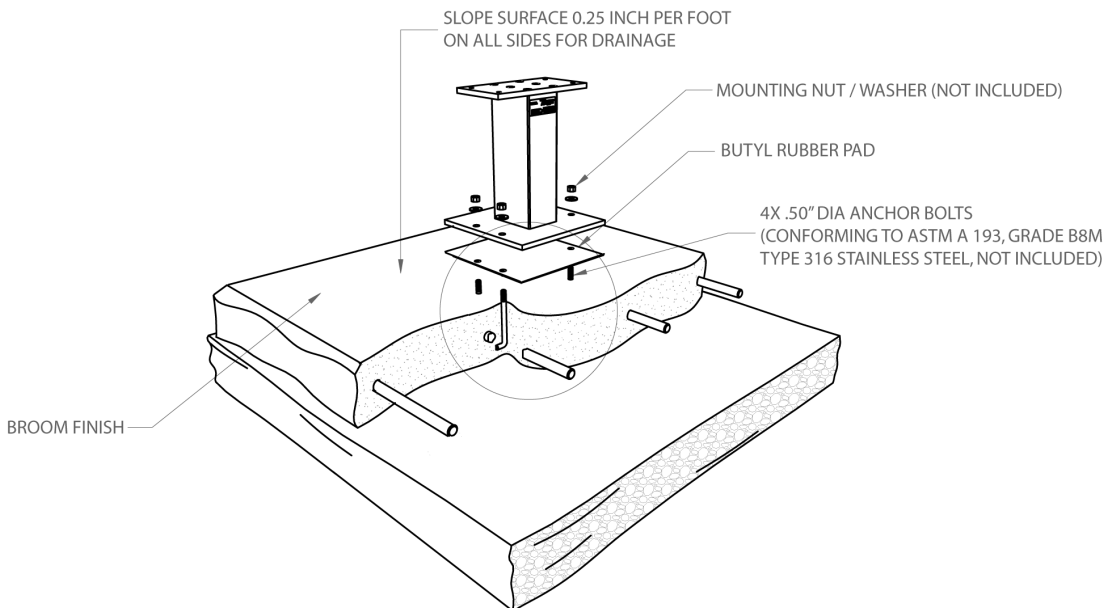
SITE PREPARATION AND PEDESTAL INSTALLATION

METAL OPL TYPE I 1590 SERIES

NOTE:
CONCRETE SHALL HAVE A
COMPRESSIVE STRENGTH OF
3000 PSI @ 28 DAYS, CONTAIN
4% MIN. ~ 6% MAX AIR
ENTRAPMENT AND BE
PLACED WITH A 3.50 ~ 4.50"
SLUMP IN ACCORDANCE TO
301.



(CUTAWAY VIEW OF BAR SHOWN)



INSTALLATION OF MASTER LOAD ARROW LOCK

METAL OPL TYPE I

1590 SERIES

*TO BE INSTALLED BY AUTHORIZED USPS
PERSONNEL ONLY*

- 1.** *OPEN ARROW LOCK DOOR.*

- 2.** *REMOVE FIVE (5) 86091 10-32 LOCK NUTS WITH 92303 LOCK SUPPORT PLATE (DISPOSE OF PLASTIC SHIPPING SPACER).*

- 3.** *PLACE ARROW LOCK IN ONE (1) PH92300-F ARROW LOCK SECURITY BRACKET AND POSITION ON DOOR.*

- 4.** *REPLACE ONE (1) 86091 10-32 LOCK NUT IN THE REAR POSITION TO SECURE 92300 ARROW LOCK SECURITY BRACKET.*

- 5.** *INSTALL 92303 LOCK SUPPORT PLATE AS SHOWN.*

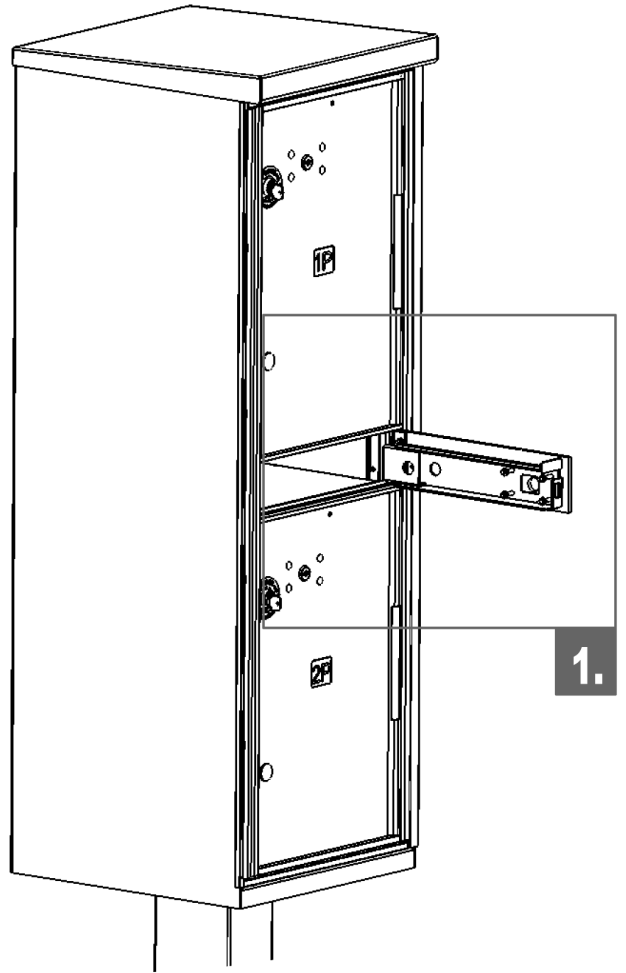
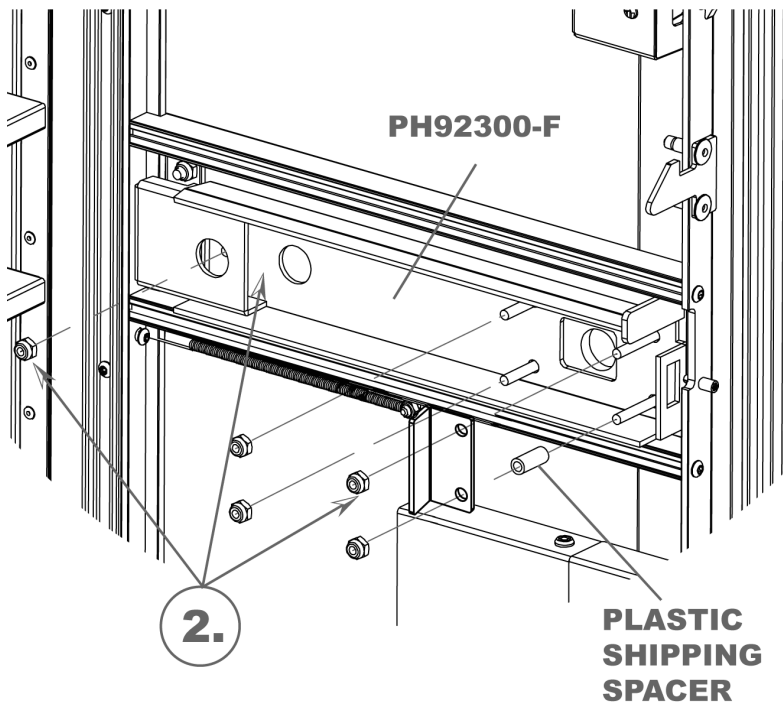
- 6.** *REPLACE FOUR (4) 86091 10-32 LOCK NUTS. TORQUE 25 TO 30 INCH-POUNDS (OVERTIGHTENING MAY KEEP ARROW LOCK FROM OPERATING CORRECTLY).*

PART #	DESCRIPTION
86091	10-32 LOCK NUT
92303	LOCK SUPPORT PLATE
	ARROW LOCK (PROVIDED BY U.S.P.S.)
PH92300-F*	ARROW LOCK SECURITY BRACKET
K92300	KIT ARROW LOCK SECURITY BRACKET (INCLUDES LOCK NUTS, LOCK SUPPORT PLATE & SECURITY BRACKET)
	*ONLY AVAILABLE IN K92300

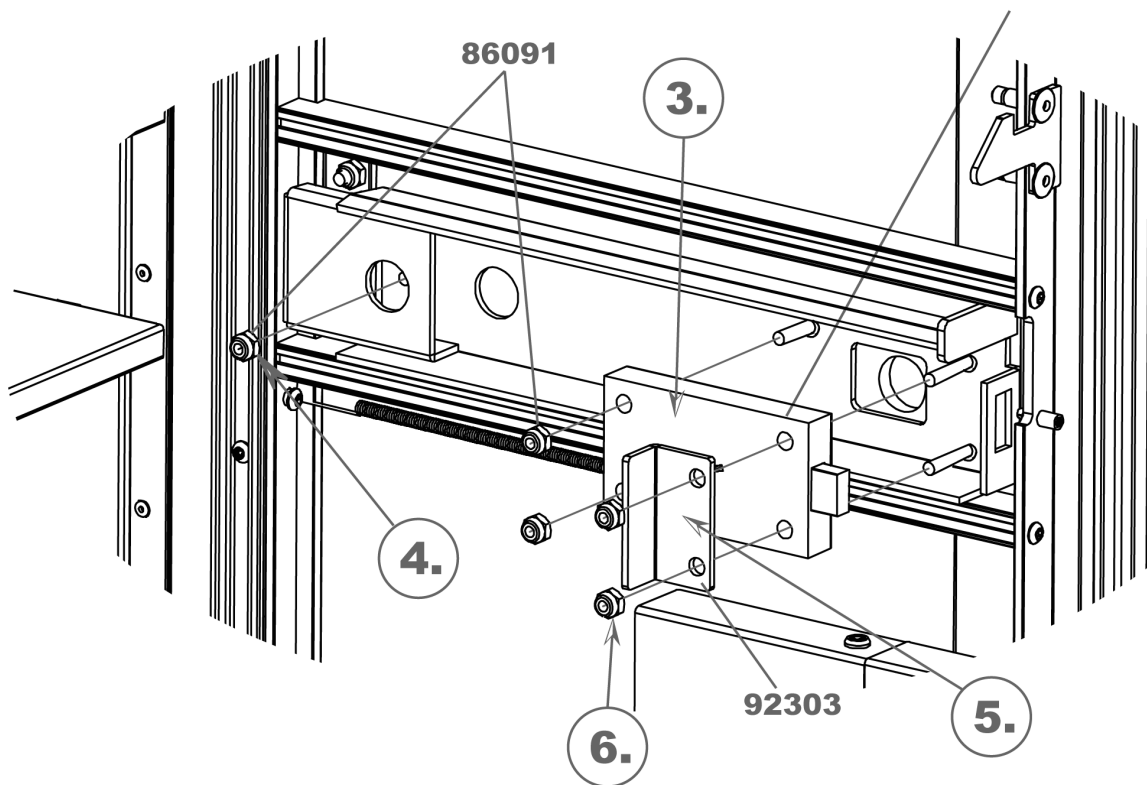
REQUIRED TOOLS

3/8" SOCKET WRENCH

INSTALLATION OF MASTER LOAD ARROW LOCK



ARROW LOCK
(PROVIDED BY U.S.P.S.)



PARCEL ARROW LOCK INSTALLATION

METAL OPL TYPE I 1590 SERIES

*TO BE INSTALLED BY AUTHORIZED USPS
PERSONNEL ONLY*

1. *OPEN PARCEL DOOR AND LOCK PARCEL DOOR CUSTOMER LOCK.*

NOTE: PARCEL DOOR CUSTOMER LOCK MUST BE IN THE LOCKED POSITION FOR KEY TO BE REMOVED.

2. *POSITION 64042-SS PARCEL DOOR LOCK STIFFENER ON THE PARCEL DOOR BOLTS AS ORIENTED IN ILLUSTRATION.*

3. *INSTALL ARROW LOCK AS SHOWN, SECURING WITH FOUR (4) 86455 10-32 THIN LOCK NUTS. TORQUE 25 TO 30 INCH-POUNDS (OVERTIGHTENING MAY KEEP ARROW LOCK FORM OPERATING CORRECTLY).*

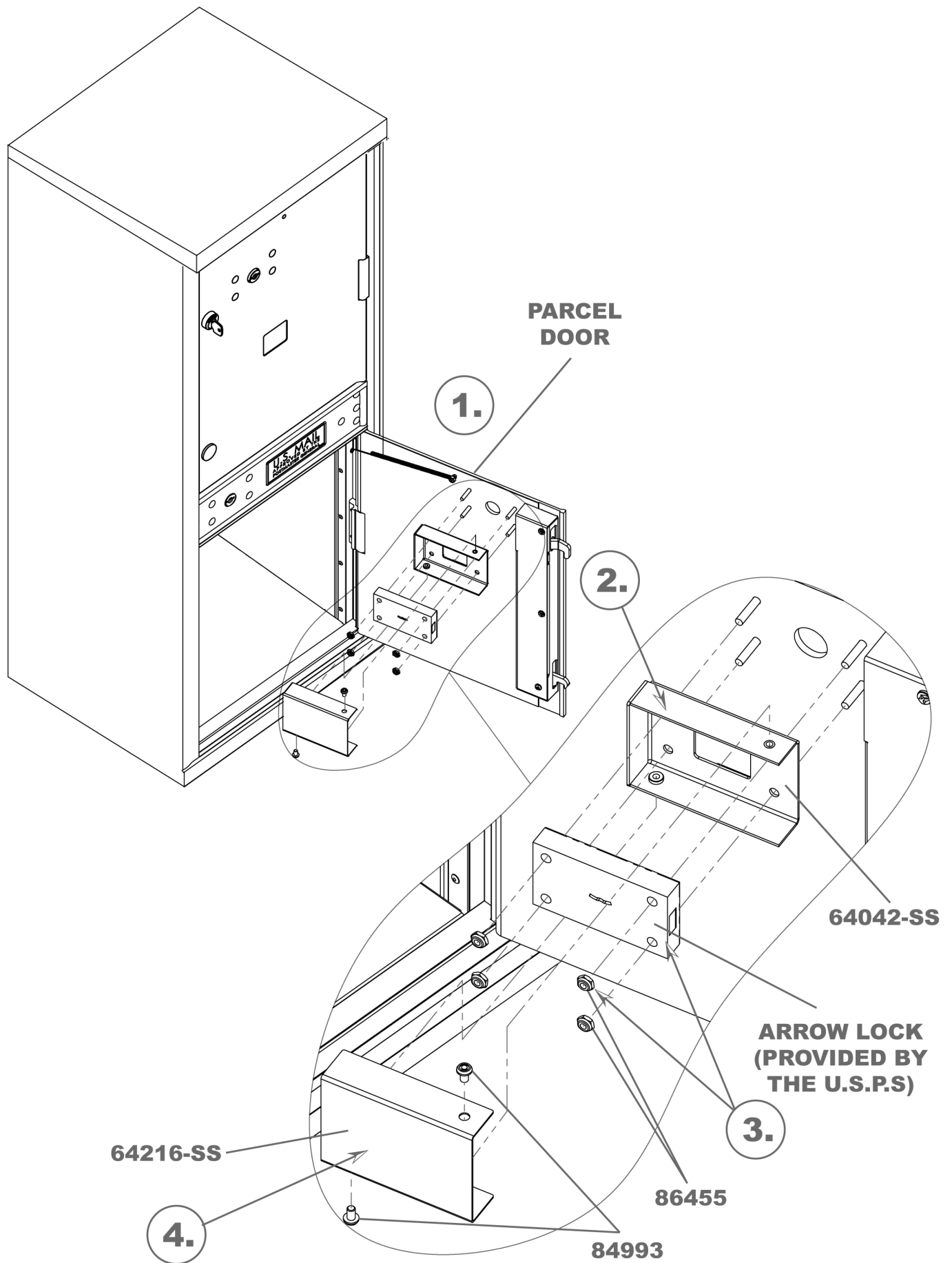
4. *POSITION 64216-SS PARCEL DOOR ARROW LOCK COVER, SECURING WITH TWO (2) 84993 10-32 18-8 SS PASSIVATED MCGARD FASTENERS.*

NOTE: THESE FASTENERS REQUIRE A MCGARD SCREW DRIVER, (SEE PAGE 3).

<i>PART #</i>	<i>DESCRIPTION</i>
64042-SS	SS PARCEL DOOR LOCK STIFFENER
	ARROW LOCK (PROVIDED BY U.S.P.S.)
86455	10-32 THIN LOCK NUT
64216-SS	SS PARCEL DOOR ARROW LOCK COVER
84993	10-32 x .312 18-8 SS PASSIVATED MCGARD FASTENER
K64216-SS	KIT PARCEL LOCK COVER SS (INCLUDES SS PARCEL DOOR ARROW LOCK COVER, SS PARCEL DOOR LATCH MECHANISM COVER AND HARDWARE)

<i>REQUIRED TOOLS</i>
U.S.P.S. PROPRIETARY MCGARD TOOL
3/8" SOCKET WRENCH OR NUT DRIVER

PARCEL ARROW LOCK INSTALLATION



PEDESTAL TO OPL INSTALLATION

METAL OPL TYPE I

1590 SERIES

*WARNING: UNIT IS TOP-HEAVY.
PEDESTAL SHOULD BE MOUNTED TO PAD
BEFORE INSTALLING CABINET.*

- 1.** *OPEN MASTER LOADING DOOR.*

- 2.** *REMOVE 91079 FLOATING SHELF,
EXPOSING MOUNTING HOLES.*

- 3.** *PLACE UNIT ON ONE (1) 91121
PEDESTAL.*

- 4.** *FROM UNDERNEATH UNIT, INSERT FOUR
(4) 86101 3/8-16 X 1.25 CARRIAGE BOLTS
UPWARD.*

- 5.** *FROM INSIDE PARCEL COMPARTMENTS,
ADD FOUR (4) 86097 3/8" X .688 OD LOCK
WASHER AND TIGHTEN FOUR (4) 86089B
3/8-16 HEX NUTS. TORQUE TO 22
FOOT-POUNDS.*

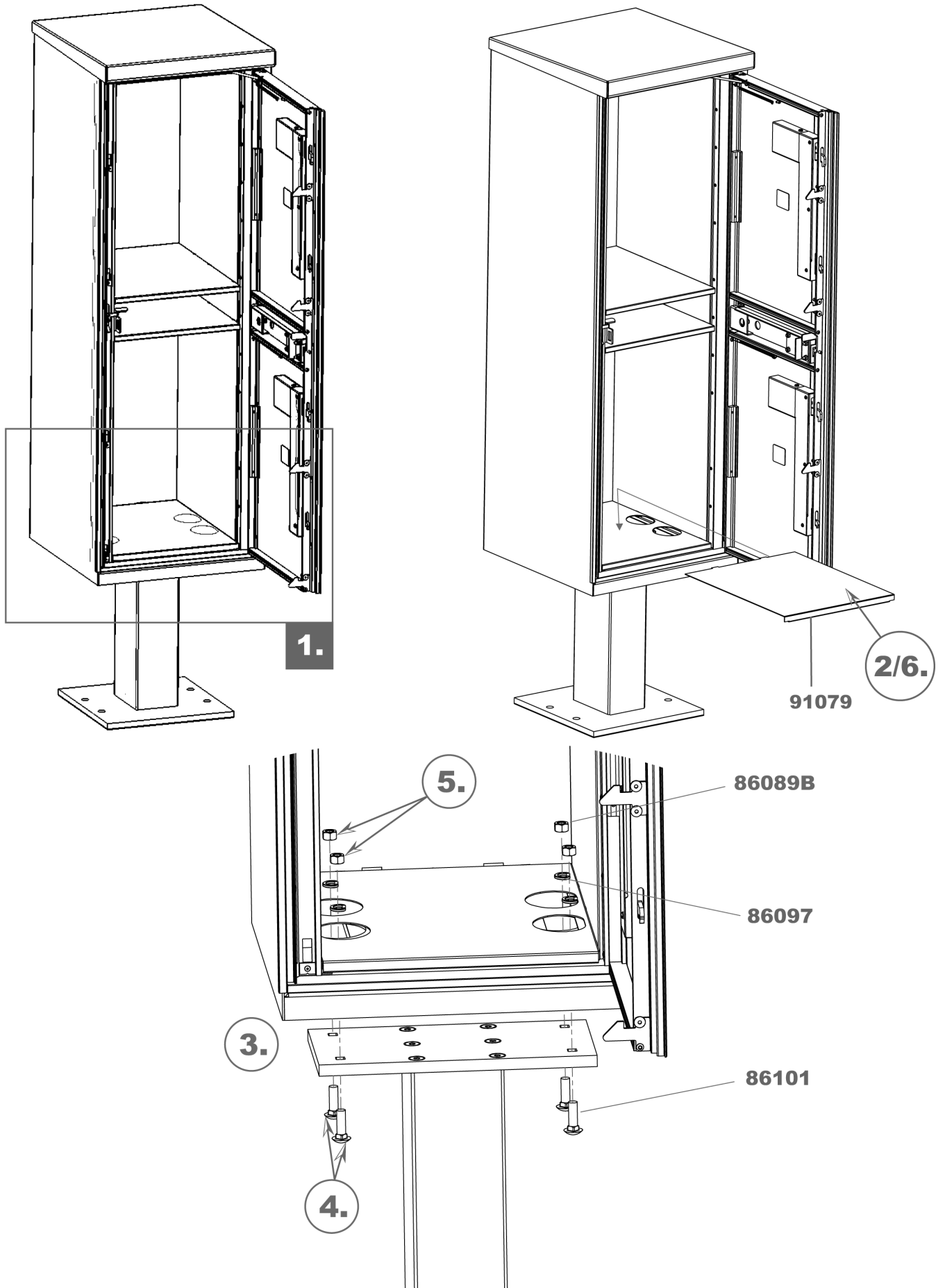
- 6.** *REPLACE 91079 FLOATING SHELF.*

PART #	DESCRIPTION
91079	FLOATING SHELF
91121	PEDESTAL
86101	3/8-16 X 1.25 CARRIAGE BOLT
86097	3/8" X .688 OD LOCK WASHER
86089B	3/8-16 HEX NUT
K86101-F	KIT HARDWARE PEDESTAL TO UNIT MOUNTING (INCLUDES CARRIAGE BOLTS, LOCK WASHERS AND HEX NUTS)

REQUIRED TOOLS

9/16" SOCKET WRENCH

PEDESTAL TO OPL INSTALLATION



NUMBER PLACARD INSTALLATION

METAL OPL TYPE I

1590 SERIES

TO ALLOW FOR ALTERNATE NUMBERING WE SHIP THE NUMBER PLACARDS LOOSE (FOR UNITS THAT ARE NOT ENGRAVED).

IF YOU DESIRE TO USE PLACARDS OTHER THAN PROVIDED '1P' AND / OR '2P', YOU CAN ORDER DIFFERENT NUMBERS FROM YOUR LOCAL AUTHORIZED FLORENCE DEALER. THE OPTIONS RANGE FROM '1P' TO '99P'.

- 1.** *REMOVE ADHESIVE COVER ON BACK OF PLACARD AND PLACE APPROPRIATE NUMBER PLACARD IN DOOR EMBOSS.*

NOTE: TO ADHERE TO POSTAL REGULATIONS, PLACE THE LOWER NUMBER PLACARD ON THE TOP PARCEL DOOR.

- 2.** *FOR EACH OF THE (3) THREE 86159 KEY TAGS PER DOOR CLEARLY PRINT THE DOOR PLACARD NUMBER IN SPACE INDICATED ON TAG.*

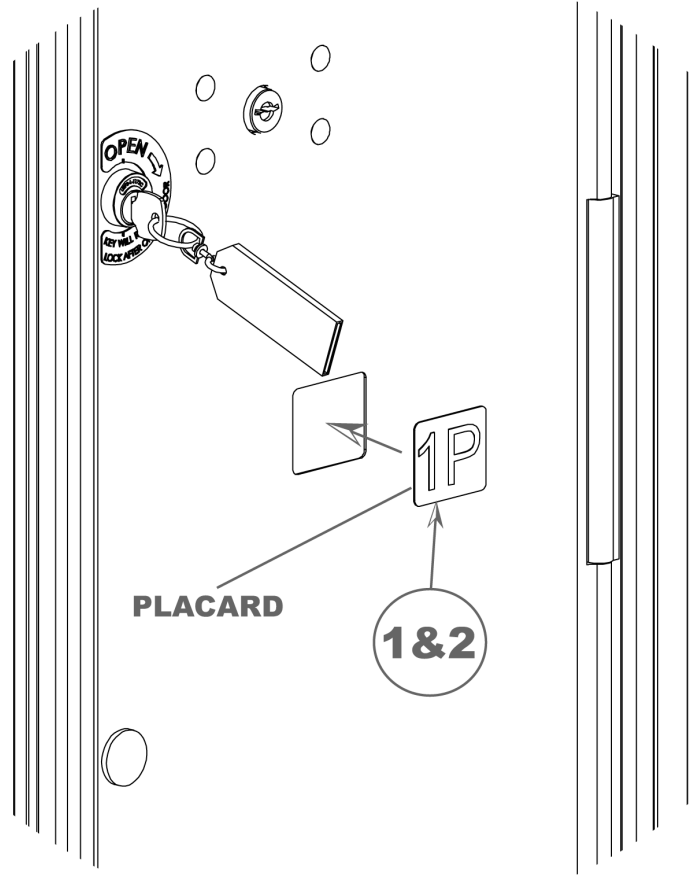
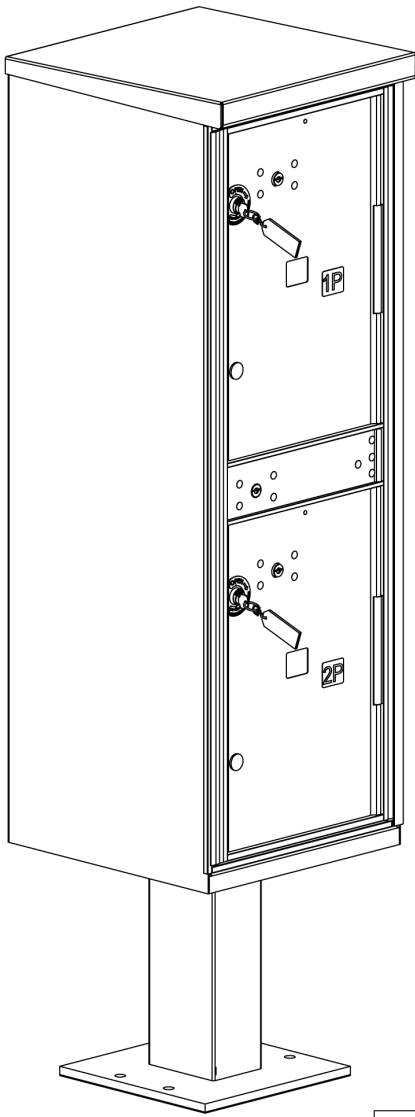
- 3.** *CHECK KEY OPERATION FOR DOOR AND PLACE 86159 MARKED KEY TAGS IN EACH OF THE CORRESPONDING 86160-3 PLASTIC KEY RINGS AS INDICATED.*

PART #	DESCRIPTION
91511-1P	NUMBER PLACARD '1P'
91511-2P	NUMBER PLACARD '2P'
91516	INDIVIDUAL NUMBER PLACARD '3P' - '99P'
86159	1 KEY TAG
86160-3	3 KEY RINGED TAG HOLDERS
K86160	KIT TAG HOLDERS W/ TAGS (INCLUDES THREE KEY RINGED TAG HOLDERS AND THREE KEY TAGS)

REQUIRED TOOLS

PERMANENT FINE POINT PEN

NUMBER PLACARD INSTALLATION

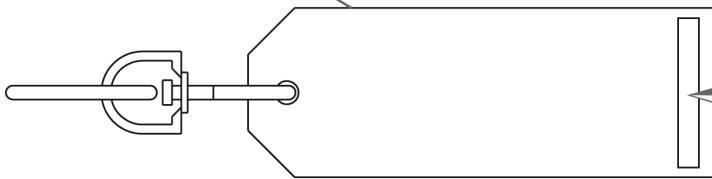


86159

POSTAL CUSTOMER: YOU HAVE MAIL IN RECEPTACLE # . PLEASE UNLOCK THE TOP LOCK AND REMOVE MAIL. KEY WILL BE RETAINED IN THE LOCK.

3

86160-3



POSTAL CUSTOMER: YOU HAVE MAIL IN RECEPTACLE # . PLEASE UNLOCK THE TOP LOCK AND REMOVE MAIL. KEY WILL BE RETAINED IN THE LOCK.

4