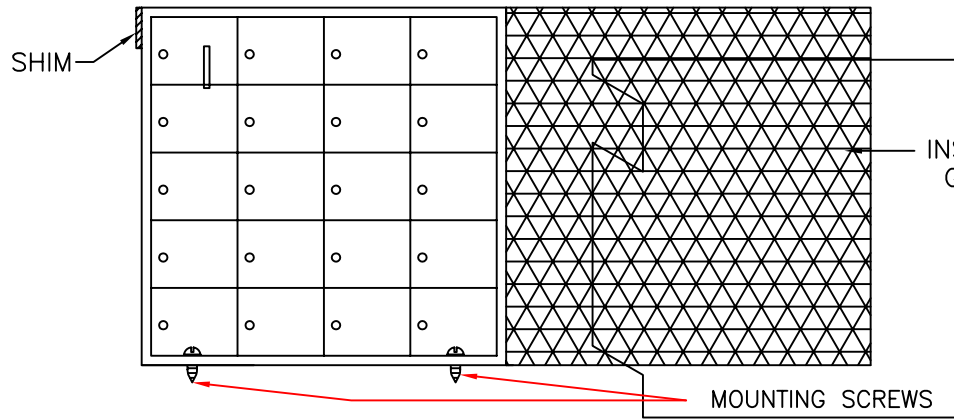
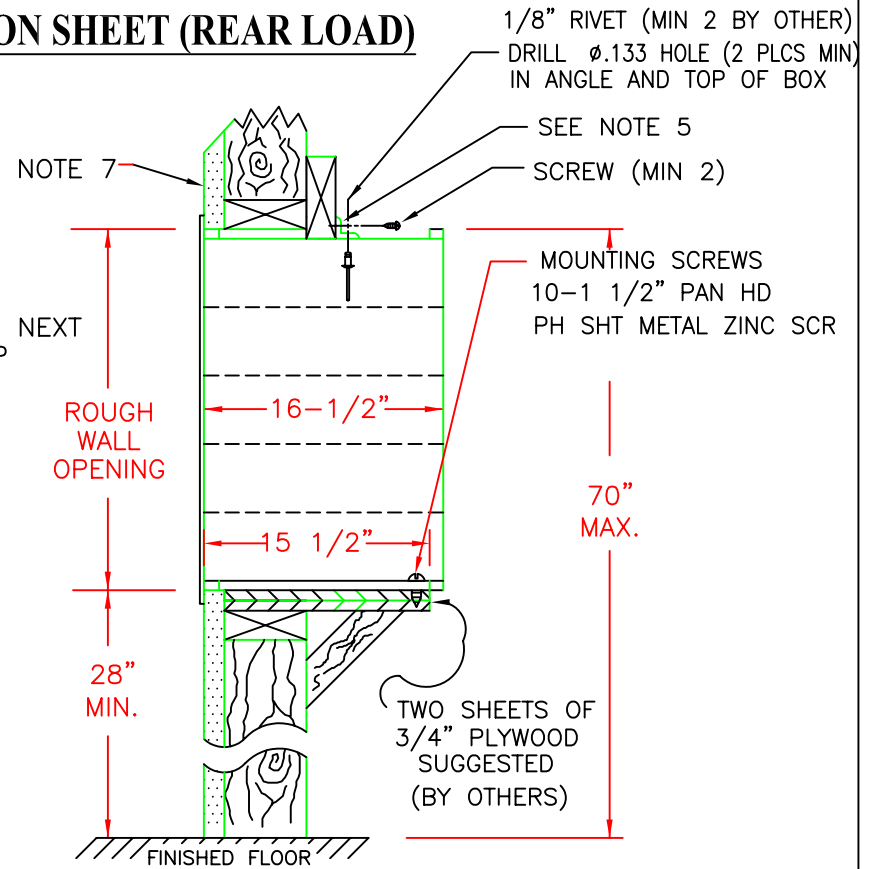


2600 SERIES HORIZONTAL MAILBOX INSTALLATION SHEET (REAR LOAD)

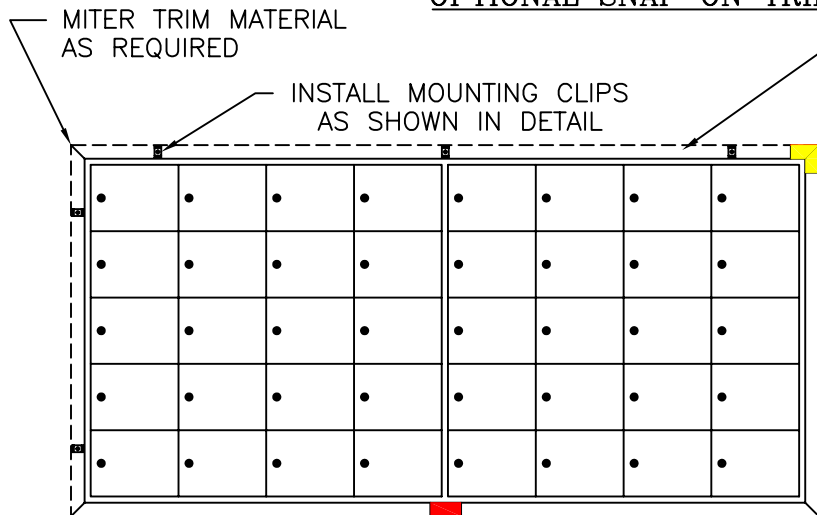


1. SLIDE FIRST GROUP OF BOXES INTO ROUGH OPENING IN WALL.
2. OPEN BACK COVER AND INSTALL TWO MOUNTING SCREWS IN THE REAR OF THE BOX (AS SHOWN)
3. SHIM AS NECESSARY FOR DOORS TO OPEN AND CLOSE FREELY. TIGHTEN MOUNTING SCREWS.
4. ALL SCREWS & MTG HARDWARE SHOULD BE INSTALLED IN SUCH A MANNER AS TO AVOID CUTTING HANDS AND/OR ARMS.

5. INSTALL 3/4 X 3/4 ANGLE (BY OTHER) TO TOP OF BOX AND BEHIND WALL DRILL HOLES IN ANGLE FOR 1/8" RIVET AND #10 SCREW
6. INSTALL NEXT GROUP OF BOXES SAME AS ABOVE.
7. REFER TO ARCHITECTS CONSTRUCTION DRAWING FOR WALL DETAILS

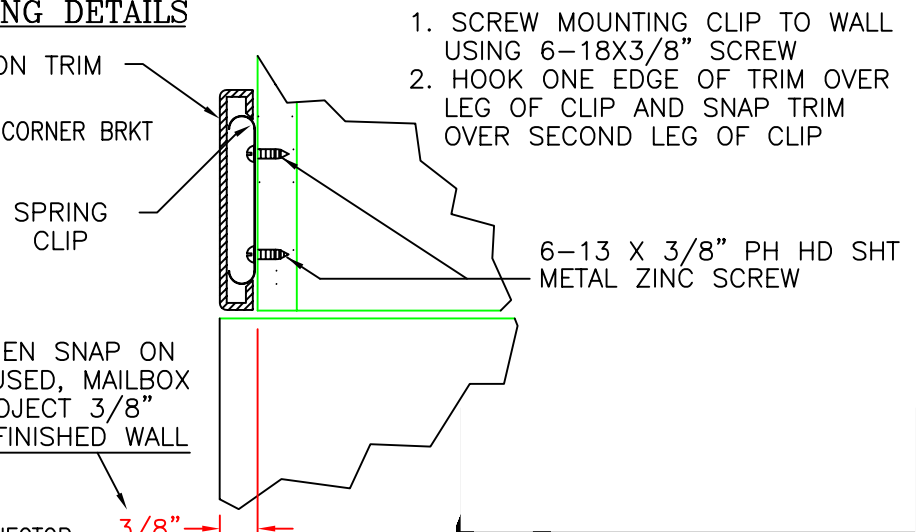


OPTIONAL SNAP ON TRIM MOUNTING DETAILS



NOTE: WHEN SNAP ON TRIM IS USED, MAILBOX MUST PROJECT 3/8" BEYOND FINISHED WALL

TRIM CONNECTOR (P/N 696) AS REQ'D



1. SCREW MOUNTING CLIP TO WALL USING 6-18X3/8" SCREW
2. HOOK ONE EDGE OF TRIM OVER LEG OF CLIP AND SNAP TRIM OVER SECOND LEG OF CLIP