

2600 SERIES HORZ. MAILBOX INSTALL SHEET (FRONT LOAD W/DIRECTORY)

WIDTH: (5 DOORS WIDE MAXIMUM)

CABINET TRIM WIDTH = NO. OF DOORS WIDE TIMES 6-1/2" + 3 -1/4"

CABINET WIDTH ROUGH OPENING = TRIM WIDTH MINUS 1"

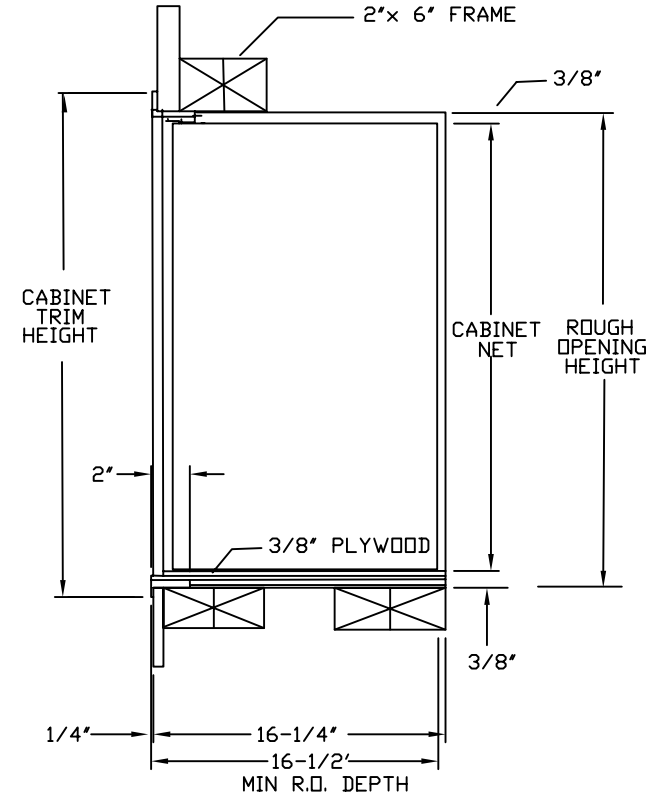
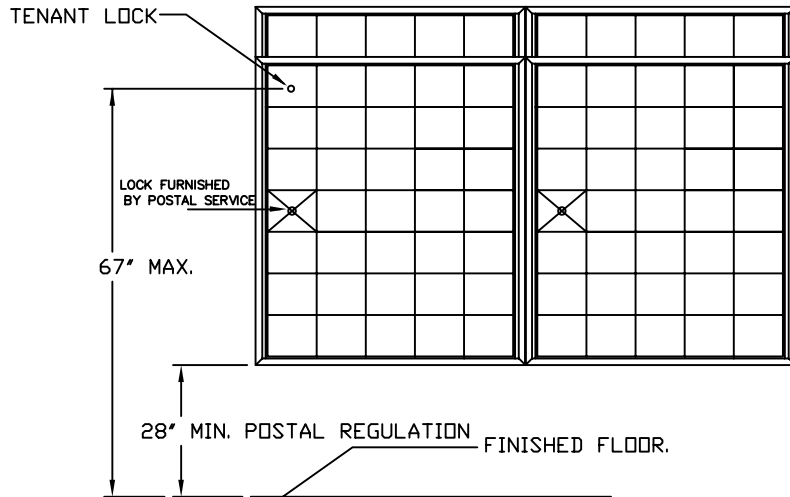
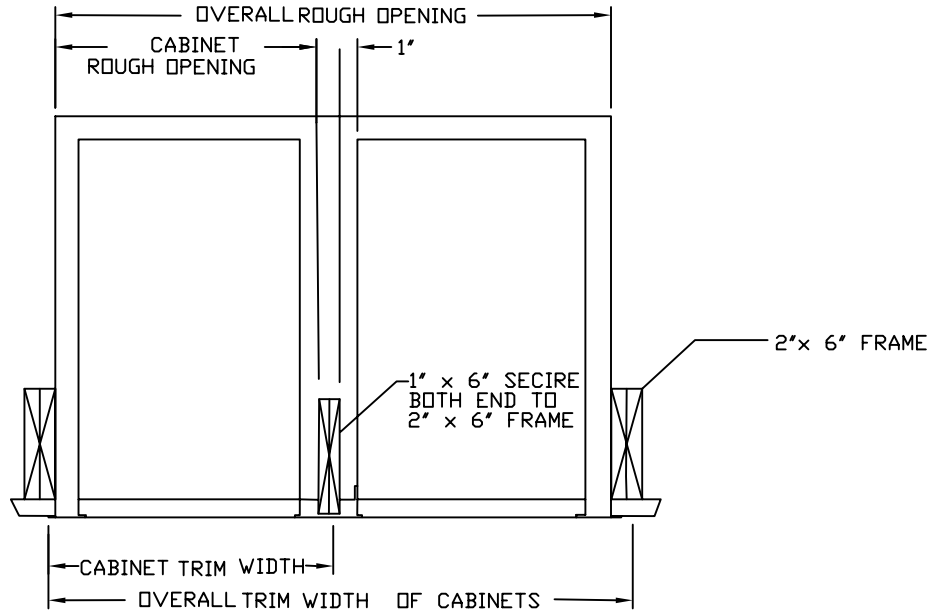
OVERALL TRIM WIDTH OF CABINETS = SUM OF ALL CABINETS TRIM WIDTH

OVERALL ROUGH OPENING = OVERALL TRIM WIDTH OF ALL CABINETS MINUS 1"

HEIGHT: (7 DOORS HIGH MAXIMUM)

TRIM HEIGHT = NO. OF DOORS HIGH TIMES 5-1/2" + 2-1/4"

ROUGH OPENING = TRIM HEIGHT MINUS 1"



CS5228-D
EAB 11/30/04

REVISIONS

REV	DESCRIPTION	DATE	DRWN BY	APP'D BY