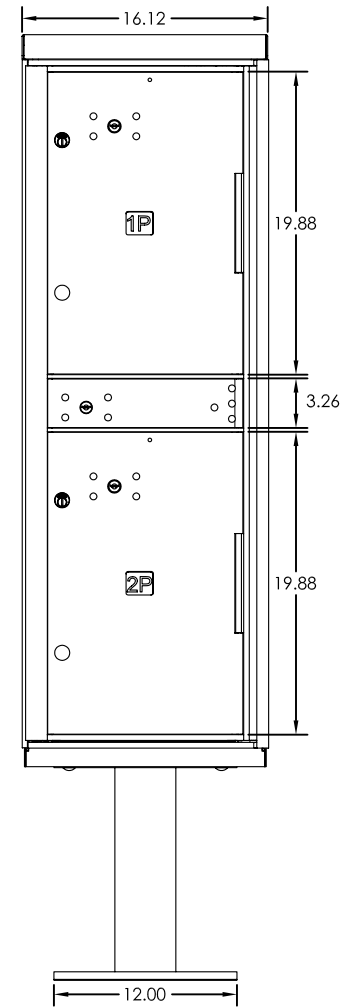
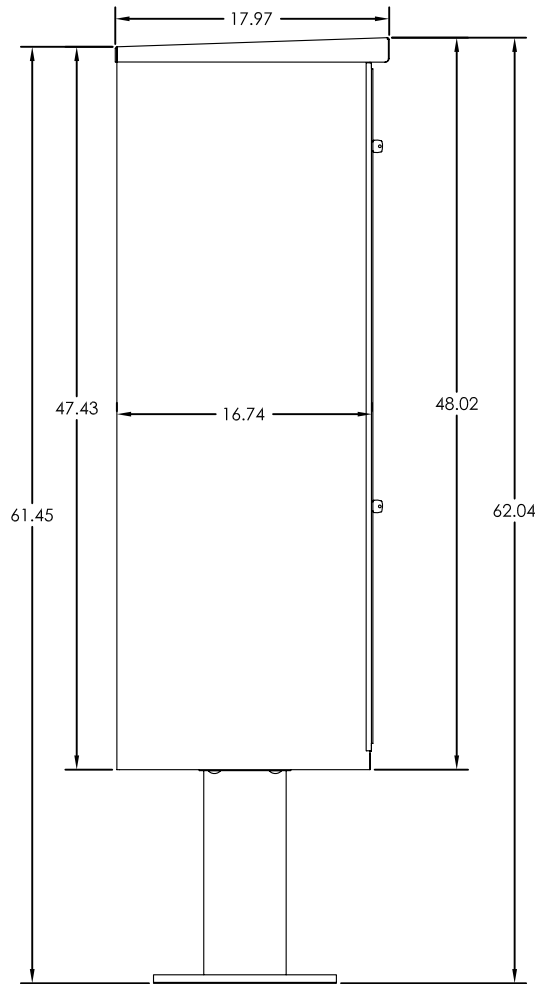
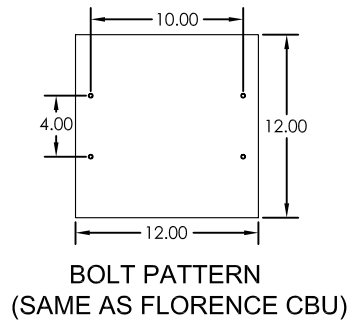
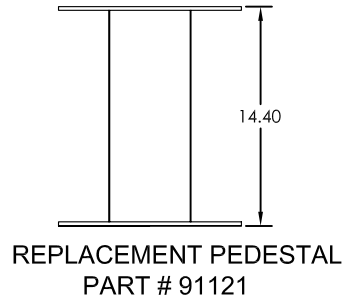


FLORENCE OUTDOOR PARCEL LOCKER (1590T1)



NOTES:

1. USPS APPROVED

2. USPS FURNISHED ARROW LOCK  

3. FLORENCE FURNISHED 910 LOCK 

4. INCLUDES CABINET AND PEDESTAL -
REPLACEMENT PARTS SOLD
SEPARATELY

5. COMPARTMENT SIZE: 15"D x 12"W x 19.5"H

EFFECTIVE 9/14/07