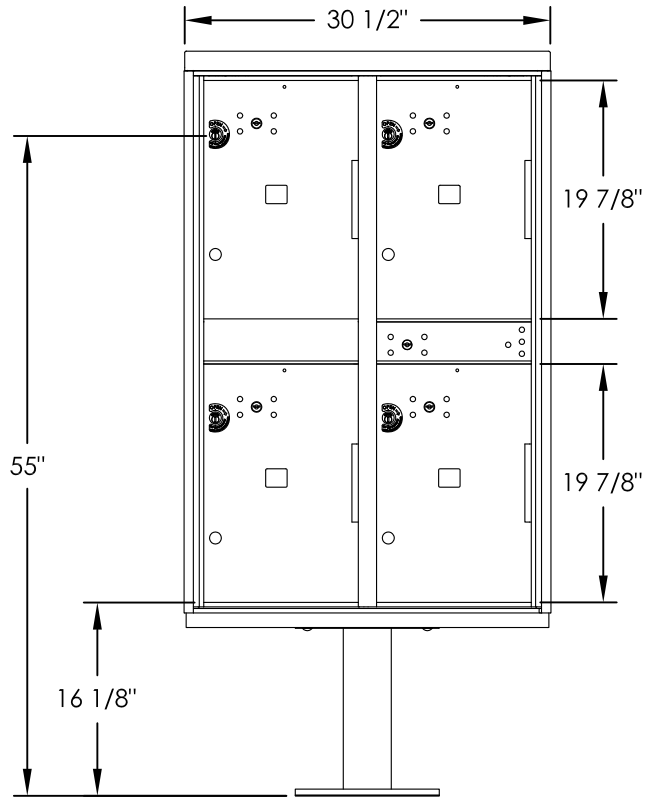
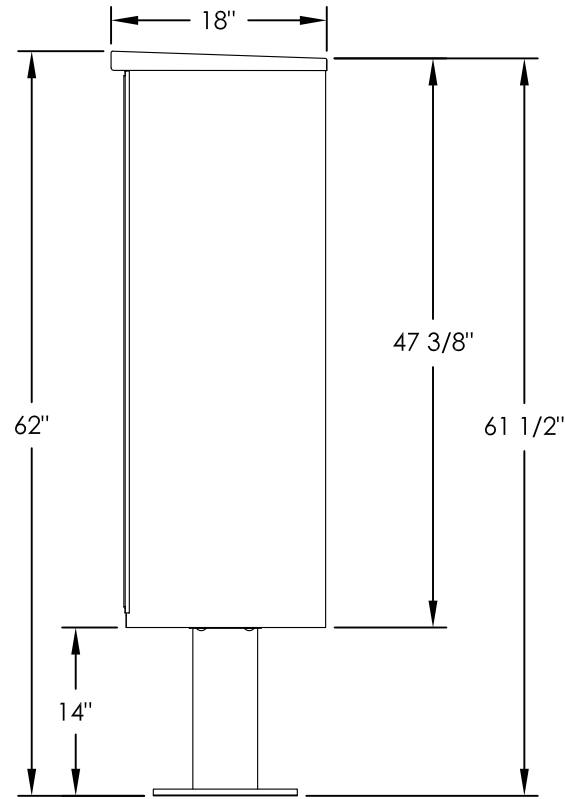


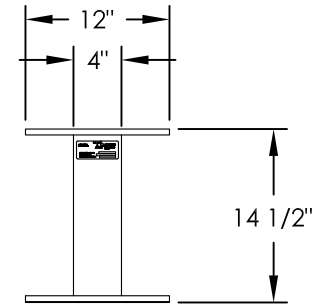
valiant™ Outdoor Parcel locker - Type II



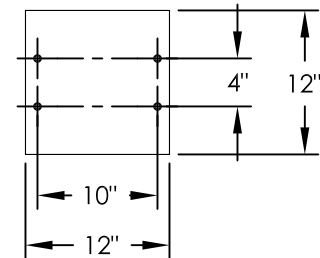
FRONT VIEW



SIDE VIEW



PEDESTAL



PEDESTAL BASE
BOLT PATTERN

DOOR CHART

| DOOR Type | DIMENSION (HEIGHT x WIDTH) |
|-----------|----------------------------|
| PARCEL | 19 7/8"x12-13/16" |

NOTES:

1. This unit is approved for USPS and private applications.
2. Decorative mailbox accessories sold separately and are USPS Approved products.
3. OPL pedestal should be installed with included Rubber Pad; mounting hardware not included, refer to installation manual for recommendations.
4. Florence is the only approved manufacturer of OPL units.